


now available in 



UL1

SMART DOOR LOCK

UL1

SMART DOOR LOCK

In the times like now, where our lifestyle is leaping towards a digital transformation, Smart Door Lock becomes an extension to your secured living.

Ultralog **UL1** is a revolutionary smart lock that offers entry via biometric fingerprint identification, contactless key fob, or your Bluetooth enabled smartphone. The Bridge upgrade allows you to share an eKey with guests while you're away from your home and monitor all activity via the iOS or Android app.

This is Best-in-value, Simple, Smart Door Lock available today.



3 WAYS TO GAIN ACCESS



FINGERPRINT

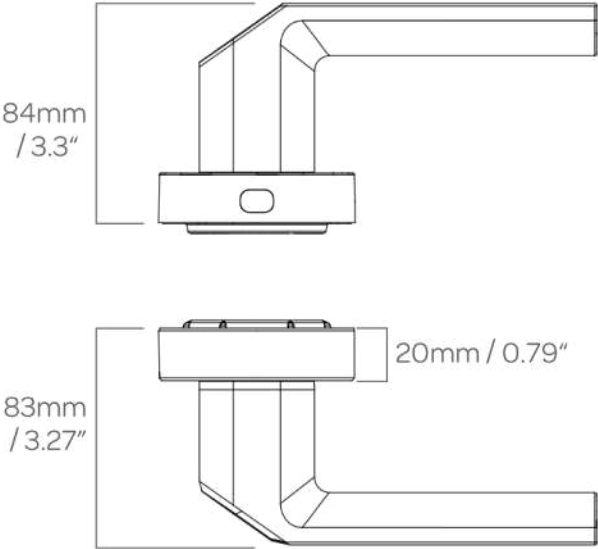
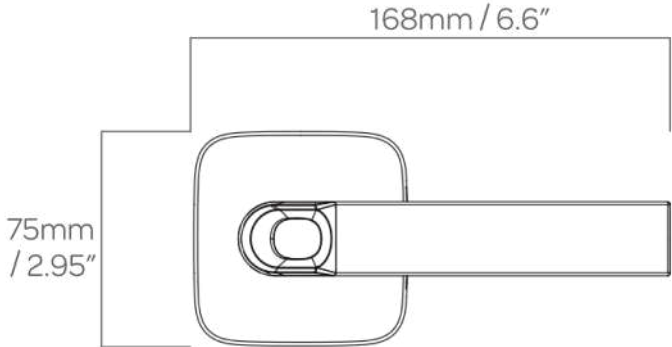
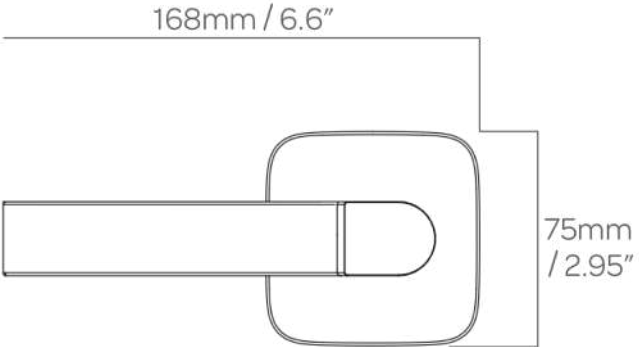


MOBILE APP



CONTACTLESS
KEY FOB

DIMENSIONS





Bluetooth Smart Connectivity

Your smartphone is now your key. Just unlock your door using the Ultraloq App on your smartphone.



One Touch Fingerprint Access

Just need "One Touch" to wake up the sensor, unlock and turn the handle in no time.



Contactless Key Fob

13.56MHz frequency Smart Technology. Perfect for people like kids and elderly who don't use a smartphone.



Dual Battery System

Powered by 2 sets of 2 AA batteries separately. You can just replace 2 batteries from exterior handle in case battery runs out.

UL1

SMART DOOR LOCK



DIY Installation

No wiring required. No drilling for American standard doors. Just 5 screws.



Weather Resistant

Durable Zinc alloy casing. Built for both exterior and interior doors.



Three Locking Status

Auto relock, privacy lockout and free passage.



Tri-color LED Indicator

Shows you authorised or denied access, Bluetooth connectivity status, battery and locking status.

UL1

SMART DOOR LOCK

Use Your Unique Fingerprint

The fingerprint sensor is thoughtfully positioned to accompany your natural hand positions. With our patented technology one seamless action allows you to wake the sensor, read your fingerprint and unlock your UltraLoq.



Dual Battery System

To ensure that you're never locked out because of a dead battery, the lever operates on a dual battery system as well as sends your phone warnings if the battery is low.

Up to 8,000 Times Access

Thank to Bluetooth 4.0's ultra low power consumption technology, UltraLoq can be powered by four AA batteries with more than one year of battery life through regular use.

Match Your Home Aesthetic

UltraLoq UL1 is thoughtfully crafted with style and functionality in mind. This handle looks clean and compact on any door with smooth surfaces, curved edges, and narrow size. While the main function of UL1 is safety, we wanted to create a lock that brings usability, simplicity and elegance together.



Quick Tap Entry

For those who don't want to use smartphone or fingerprint, UL1 can be unlocked with a contactless key fob. Once you present the key fob in the vicinity of handle, the door will instantly unlock. Ideal for kids and the elderly.

UL1

SMART DOOR LOCK

Go Remote Instantly with Bridge

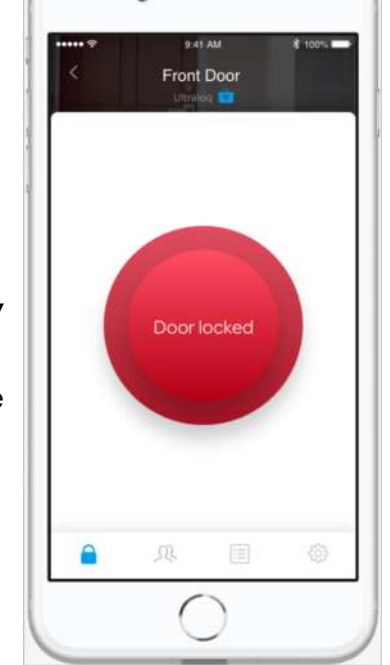
Control entry access to your door from anywhere, for anyone with the optional Bridge. You can unlock your Ultralock or grant access to guests and visitors via an eKey for specific dates or periods of time remotely with no monthly charges. You will receive a smartphone notification when someone opens your door.





Share eKey

Grant access for specific dates or times



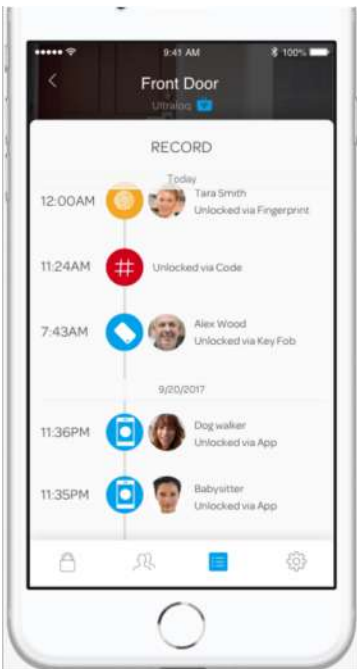
Keyless Entry

UltraLoq App enables you to unlock your door with your smartphone

UL1

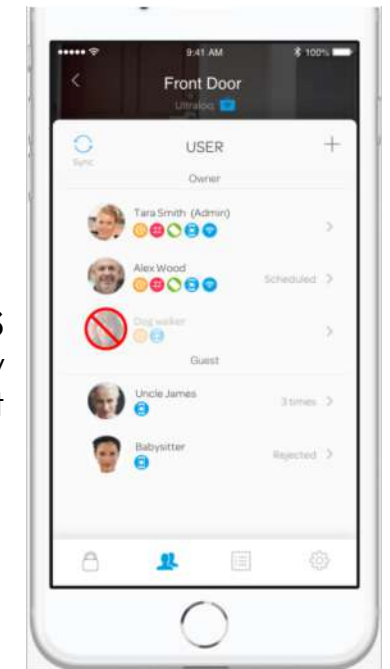
SMART DOOR LOCK

use mobile app



Log Record

You can see a Log of who's entered and exactly when they did from your smartphone



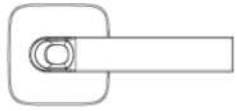
Manage Users

Knows who has the access to your lock and how
Add or delete users any time you want

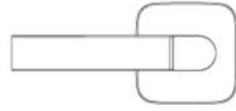
UL1

SMART DOOR LOCK

what comes in the box



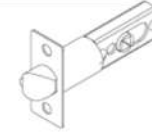
External Assembly



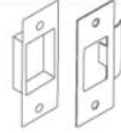
Internal Assembly



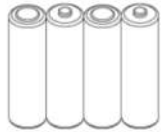
Mounting Plate



Latch



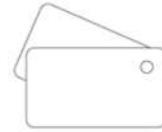
Strike



Battery



Bridge (Optional)



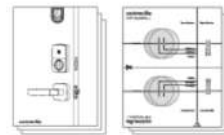
3 X Key Fob



Screwdriver



Screws



Drill Template and Manuals

Model	UL1
Connectivity	Bluetooth 4.0, WiFi (Ultraloq Bridge required)
Identification Mode	Fingerprint, key fob and smartphone app
Sensor	Optical fingerprint sensor
Sensor Wake Up Mode	Touch Auto Wakeup
Scan Area	0.9 x 0.7 inch/22.9 x 17.8 mm
Resolution	500DPI
Identification Time	< 0.5 sec
FRR (False Rejection Rate)	0.001%
FAR(False Acceptance Rate)	0.001%
User Capacity	100
Hardware type	Latch
Case Material	Strong Zinc Alloy
Finish	Satin Nickel or Black
Working Voltage	3V (2 X Alkaline AA batteries)
Working Temperature	Outside lock body: -4°F (-20°C) to 149°F (65°C) Inside lock body: 14°F (-10°C) to 131°F (55°C)
Dimension	6.6 x 3 x 3.1 inch / 168 x 75 x 80 mm (front panel) 6.6 x 3 x 3.1inch / 168 x 75 x 80 mm (back panel)
Weight	4.4 lb / 2 kg
Door Thickness	1.3 - 1.96 inch (33 - 50 mm)
Reversible Handle	Yes
Battery Life	Up to 1 year (8000 times access)
LED Indicator Color	Red, green and blue

UL1

SMART DOOR LOCK



UL1

SMART DOOR LOCK

Use at home, office, hotel, banks
Just anywhere!

for live demo, call/email us to guide you
to the nearest experience zone

* GST applicable at 18%. Delivery charges will be extra as per actuals.



BROUGHT TO INDIA BY



PROMOTED, FULFILLED & SERVICED BY

UNISER
INDUSTRIES PVT. LTD.

inteb

414, Lotus House, 33-A, V Thackersey Marg,
New Marine Lines, Mumbai 400020, India

Phone : +91-22-22000515 | +91-9867625686

Email : support@unisersolar.com | support@uniserledlights.com

Web : www.unisersolar.com | www.uniserledlights.com